

# 22 kW Electric Vehicle Charging Station



Uno-Trio Electric Vehicle Charging Station

## 22 kW Electric Vehicle Charging Station

*Easy - Safe - Efficient*



### Trio EV Charger 22 kW Wired / Wireless

TommaTech (EVC) vehicle chargers enable fast and easy charging of electric vehicles with different charging standards through Type II connectors, whether in Economy Mode, Fast Charging Mode, or Custom Mode.

With their smart and compact design, the (EVC) vehicle chargers can be used in both indoor and outdoor applications and also feature a wide operating temperature range.

## TOMMATECH Fast 22 kW AC Electric Vehicle Charging Station



Wireless

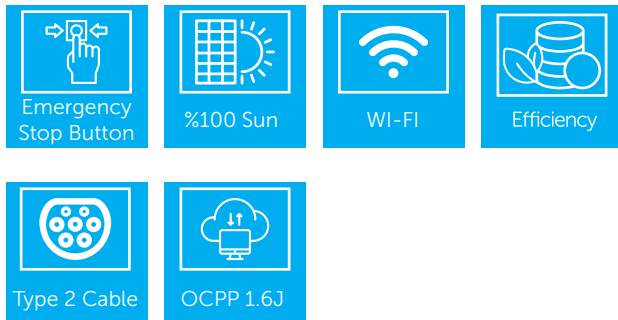
### ■ Trio-EVC-22.0

TommaTech (EVC) vehicle chargers are the preferred choice for residential, office, or public applications.



Wired

In addition, the chargers are fully compatible with TommaTech Trio and Uno Hybrid Inverters. Together with lithium battery applications, they enable maximum utilization of solar energy.



- 22 kW AC power output
- Type 2 socket or 5 m cable
- OCPP 1.6
- Ethernet, Wi-Fi, or 4G communication support
- Real-time data monitoring via online portal
- 3 different charging modes

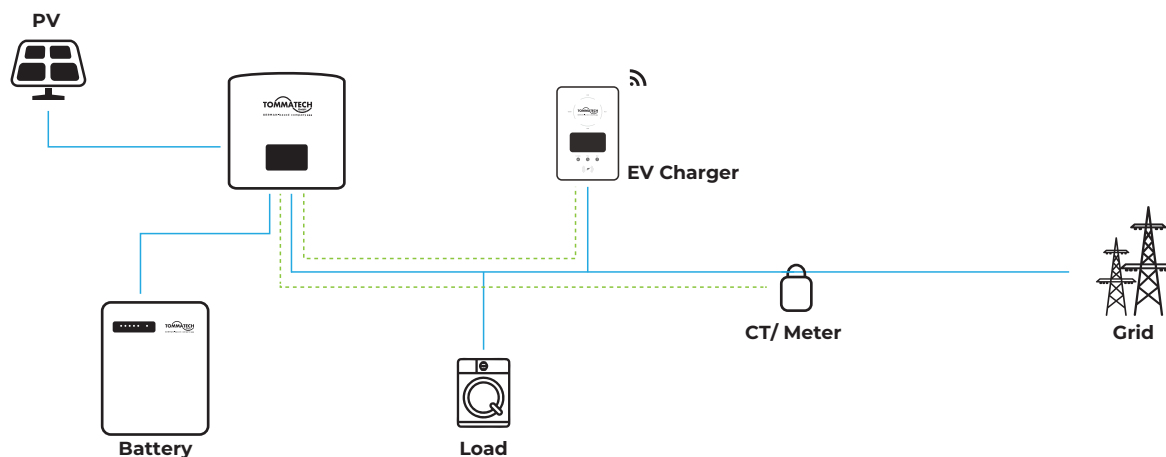
## Product Package Contents

- Charging Unit
- RFID Card
- User Manual
- Mounting Materials
- Charging Unit Mounting Bracket
- Cable Holder (for wired model)

## EVC-TT-AC-22KW-LCD-CBL / EVC-TT-AC-22KW-LCD

AC Nominal Input	
Phases/Lines	3 Phase / L1+L2+L3+N+PE
Voltage [V]	400±%10
Frequency [Hz]	50/60
AC Nominal Output	
Voltage [V]	400±%10
Current [A]	32
Power [kW]	22
Interface	
Wi-Fi or 4G LTE	Optional
RS485	Yes
RFID	Yes
OCPP 1.6 (JSON)	Optional
LCD Screen	Optional
CT Clamps (Current Transformer Clamps)	Trio Option
General Data	
Enclosure Material	Plastic/Metal
Installation Method	Wall Mounting
Wall Mounting Bracket	Yes
Charging Output	Charging Cable with Type 2 Connector / Socket Output
Cable Length [m]	5
Operating Temperature [°C]	-20~+50
Operating Humidity [%]	5%~95% Non-condensing
Operating Altitude [m]	<2000
Protection Class	IP65
Application Area	Indoor / Outdoor
Cooling Concept	Natural Cooling
Dimensions [mm]	249x370x142
Weight [kg]	6,2
Safety Measure	
Multiple Protection	Over/Under Voltage Protection, Overload Protection, Short Circuit Protection, Residual Current Protection, Grounding Protection, Surge Protection, Over Temperature Protection
Residual Current Protection	30mA Type A RCD (EN 61008) + 6mA DC Protection (EN 62955)
Encrypted Communication	TLS
Safety Standard	IEC 61851-1:2017, IEC 62196-2:2016
Integrated PEN Fault Detection Technology	Yes
Warranty [years]*	2

TommaTech GmbH reserves the right to change product specifications without prior notice.





EVC-LIKYA-AC-22K-LED

**Individual Electric Vehicle Charging Unit**  
1.35 kW ~ 22 kW



*Easy - Safe - Efficient*



## LIKYA AC Vehicle Charging Devices.

Likya (EVC) Vehicle Charging Devices can be used with either single-phase or three-phase connections via a Type II connector. They allow electric vehicles with different charging standards to be charged quickly and easily in Plug & Play Mode or Control Mode.

Equipped with a smart and compact design, (EVC) vehicle charging devices can be used in both indoor and outdoor applications and also offer a wide operating temperature range. This makes TommaTech (EVC) Vehicle Charging Devices a preferred option for residential, office, or public applications.

## EVC-LIKYA-AC-22K-LED

### AC Nominal Input

Phases/Lines	TFor Single Phase Connection / L1+N+PE For Three Phase Connection / L1+L2+L3+N+PE
Voltage [V]	For Single Phase Connection / 220±10% For Three Phase Connection / 380±10%
Frequency [Hz]	50 / 60

### AC Nominal Output

Voltage [V]	For Single Phase Connection / 220+%10 Three Phase Connection / 380+%10
Current [A]	6-10-16-32
Power [kW]	For Single Phase Connection / 1.35 / 2.3 / 3.7 / 7.4 For Three Phase Connection / 4.15 / 7 / 11 / 22

### Interface

Bluetooth 4.0	Yes
RGB Led	Yes

### General Data

Body Material	Plastic / Metal
Installation Method	Wall Mounting
Wall Mount Bracket	Yes
Charging Output	Type 2 Socket Outlet
Operating Temperature [°C]	-30~+50
Work Humidity [%]	%5-%95 Non-condensing
Working Height [m]	<2000
Protection Class	IP54
Field of Application	Indoor / Outdoor
Cooling Concept	Natural Cooling
Dimensions [mm]	337x140x253
Weight [kg]	5,6

### Security Measure

Multi Protection	Short Circuit Protection, Leakage Current Protection, Grounding Protection Surge Protection, Overtemperature Protection
Leakage Current Protection	30mA Type A RCD (EN 61008) + 6mA DC Protection (EN 62955)
Security Standard	EN 61851 - 22:2002 / EN IEC 61851-21-2:2021
Regulations	2014 / 30 / EU Electromagnetic Compatibility (EMC) Directive / 2014 / 35 / EU Low Voltage Directive (LVD)
Warranty [year]	2

\* TommaTech GmbH reserves the right to change product specifications without prior notice.



EVC-LIKYA-AC-22K-LED-KBL

Individual Electric Vehicle Charging Device  
1.35 kW ~ 22 kW



*Easy - Safe - Efficient*



## LIKYA AC VEHICLE CHARGING DEVICES

Likya (EVC) vehicle charging devices can be used with either single-phase or three-phase connections via a Type II connector. In Plug & Charge mode or Control Mode, they enable fast and easy charging of electric vehicles that support different charging standards.

Featuring a smart and compact design, the (EVC) vehicle charging devices are suitable for both indoor and outdoor applications and have a wide operating temperature range. This makes TommaTech (EVC) Vehicle Charging Devices a preferred choice for residential, office, or public applications.

## EVC-LIKYA-AC-22K-LED-KBL

### AC Nominal Input

Phases/Lines	For Single Phase Connection / L1+N+PE For Three Phase Connection / L1+L2+L3+N+PE
Voltage [V]	For Single Phase Connection / 220±10% For Three Phase Connection / 380±10%
Frequency [Hz]	50 / 60

### AC Nominal Output

Voltage [V]	For Single Phase Connection / 220+%10 Three Phase Connection / 380+%10
Current [A]	6-10-16-32
Power [kW]	For Single Phase Connection / 1.35 / 3.2 / 3.7 / 7.4 For Three Phase Connection / 4.15 / 7 / 11 / 22

### Interface

Bluetooth 4.0	Yes
RGB Led	Yes

### General Data

Body Material	Plastic / Metal
Installation Method	Wall Mounting
Wall Mount Bracket	Yes
Charge Output	Tip 2 Connector Charging Cable
Cable Length [m]	5
Operating Temperature [°C]	-30~+50
Work Humidity [%]	%5-%95 Non-condensing
Working Height [m]	<2000
Protection Class	IP54
Field of Application	Indoor / Outdoor
Cooling Concept	Natural Cooling
Dimensions [mm]	337x140x253
Weight [kg]	6,2

### Security Measure

Multi Protection	Short Circuit Protection, Residual Current Protection, Grounding Protection, Surge Protection, Overtemperature Protection.
Leakage Current Protection	30mA Type A RCD (EN 61008) + 6mA DC protection (EN 62955)
Security Standard	EN 61851-22:2002 - EN IEC 61851-21-2:2021
Regulations	2014 / 30 / EU Electromagnetic Compatibility (EMC) Directive - 2014 / 35 / EU Low Voltage Directive (LVD)
Guarantee [Year]	2

\* TommaTech GmbH reserves the right to change product specifications without prior notice.